



# Technical Sheet

## Free Standing Contactless Bottle Filler with VersaFilter III

- PFCP10EBF

### Suggested Specification

Model PFCP10EBF shall deliver 10.0 gph of 50°F water at 90°F ambient and 80°F inlet water per ASHRAE 18 testing. Electronic bottle filler shall have contactless activation for the dispensing of water. Plastic bottle filler components contain Freshield®, which utilizes a silver-based antimicrobial compound to protect the surfaces from discoloration, odors, and degradation caused by the growth of micro-organisms and mildew. Shall have VersaFilter III for lead, cyst, chlorine, taste and odor reduction. Evaporator shall be high efficiency tank type and shall be encapsulated in insulation. An adjustable thermostat having an off position shall control refrigeration system. Shall use R-134a refrigerant. Shall comply with ANSI 117.1 and ADA. Shall be listed by Underwriters Laboratories to US and Canadian standards. Shall comply with NSF/ANSI 61 and NSF/ANSI 372.



### Models

- PFCP10EBF delivers 10.0 gallons of chilled drinking water per hour.

### Standard Features

- Built-in strainer inside solenoid valve prevents particles in waterway
- Waterways are lead-free in materials and construction.
- High efficiency cooling system
- Contactless activation for water dispensing with auto shut-off
- High flow output of 1.1 gallons per minute for faster fill up
- Built in drain - no drip tray to empty
- VersaFilter III is Certified to NSF/ANSI 42 and 53 for lead, chlorine, taste and odor reduction to 4,750 gallons
- Removable front panel for ease of filter change-out

### Finishes

- Standard cabinet finish: Brushed stainless steel

### Installation

- Prior to roughing consult with local, state and federal codes for proper mounting height
- Shipped with complete instructions and wall anchor support
- Removable panel provides easy access for installation.

### Limited 5-Year Warranty

(Continental limits of the United States and Canada)  
Five years on the sealed refrigeration system and most component parts. Detailed warranty certificate enclosed with each water cooler; sample available upon request.

### Export Warranty

One year on components parts. Detailed warranty certificate enclosed with each drinking fountain; sample copy available upon request.

### Certifications/Compliance

- Certified to UL 399 and CAN/CSA C22.2 No.120 (electric water coolers only)
- Product Certified to NSF/ANSI Standard 61-G & 372 and conforms with the lead content requirements for "Lead Free" plumbing as defined by California, Vermont, Maryland, and Louisiana state laws and the U.S. Safe Drinking Water Act
- These water coolers comply with the requirements of ADA (Americans with Disabilities Act) when properly installed
- VersaFilter III is Certified to NSF/ANSI 42 and 53



**WARNING:**  
Cancer and Reproductive Harm  
[www.P65Warnings.ca.gov](http://www.P65Warnings.ca.gov)

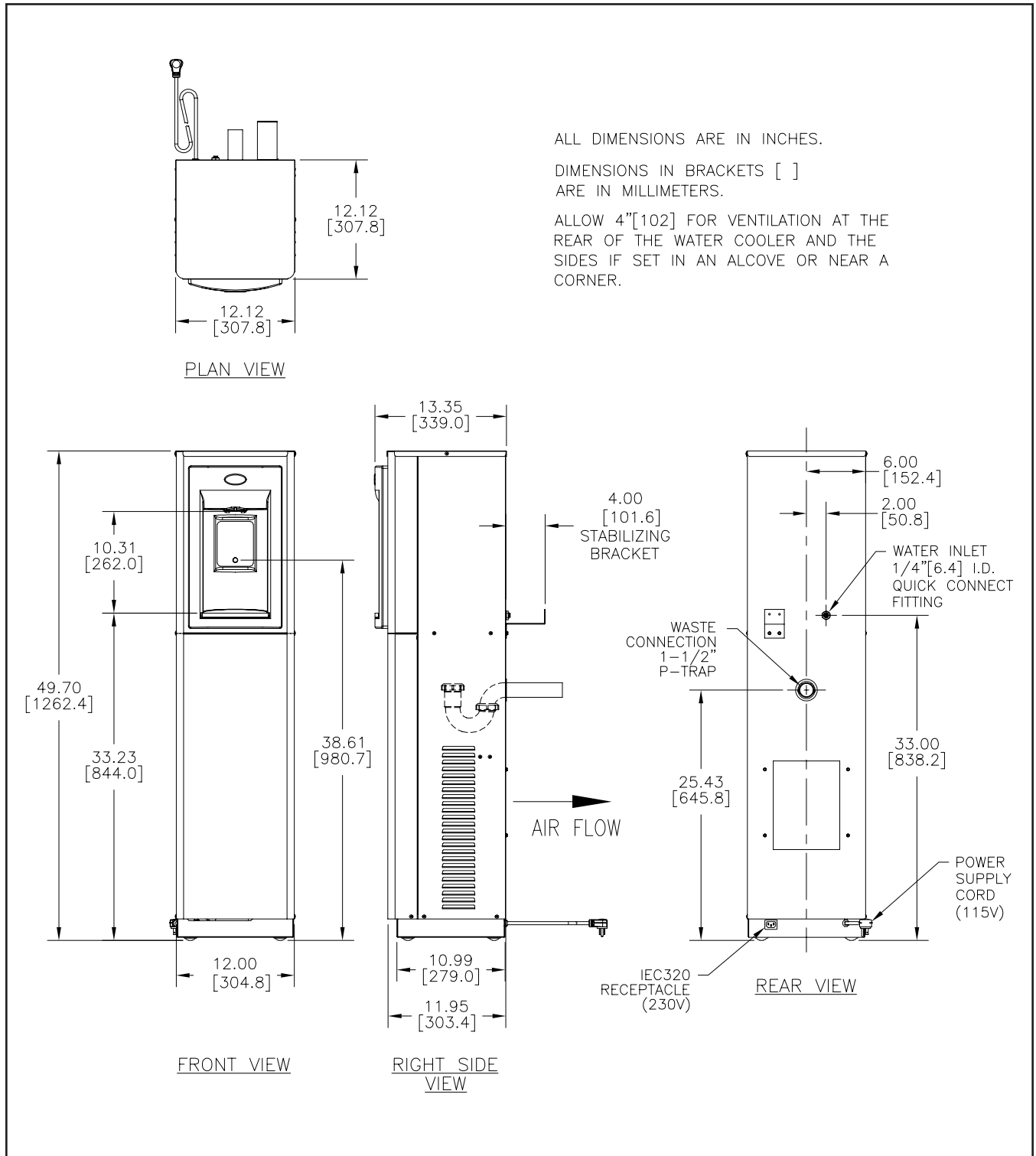


Model	50° F Drinking Water 90° F Ambient Air Temp*			Hot'N Cold™ Model	115 Volts, 60 HZ			Glass Filler Acc. Option	Cabinet Color Finish	Net Wt. Approx.
	Rated Capacity GPH	Base Rate GPH	Pre-Cooler		Compr. HP	Full Load Amps	Rated Watts			
PFCP10EBF	10.0	10.0	No	No	1/4	5.5	550	No	No	77 Lbs

\*Industry standard rating condition 80° F inlet water temperature

Specifications subject to change without notice

# OASIS® FREE STANDING CONTACTLESS BOTTLE FILLER



Tropic Water LLC

151 Kupuohi ST Suite H5  
Lahaina, HI 96761

[www.tropicwater.com.com](http://www.tropicwater.com.com)

1-808-661-0007